

# Lomo16 Heat Pump



MODEL: TW09HQ1C8D

Project Name:

Location:

Engineer Name:

Purshaser:

Unit Designation:

Schedule No.

SubmittedTo:

Date:



## General Features

- Low Ambient Cooling to 5 °F
- Multiple Fan Speeds
- Memory Function
- Fan Delay Function
- Intelligent Pre-heating / Defrost
- Control lock

- Smart 1 Hertz Inverter Technology
- Load Protection Features
- Over-Current Protection
- Anti Freeze Protection
- LED display

## Unit Performance:

Cooling:	-	-
Capacity (Min Rated Max, Btu/h)	3,099-9,000-9,599	
SEER		16
EER		10
Heating:	-	-
Capacity (Min Rated Max, Btu/h)	3,100-9,500-12,000	
HSPF		9
COP (W/W)		3.48

## Compressor

Cooling Operation Ambient temp. Range	5-115 F
Heating Operation Ambient temp. Range	-5-75 F
Compressor Type	Swing
Compressor RLA (A)	4
Crankcase Heater	Yes

## Unit Specification

Refrigerant Type	R410A
Refrigerant Charge (oz)	24.7
ODU Sound Pressure (dB(A))	52
IDU Sound Pressure (dB(A))	43/38/34/28
ODU Net Weight (lbs)	65
IDU Net Weight (lbs)	20
Dehumidifying (Pint/h)	1.69

## Electrical Specification

Power Supply	208-230V / 60Hz
Communications Wire Size	AWG 14
MOP (A)	15
MCA (A)	9
Cooling Rated Amps (A)	5.8
Heating Rated Amps (A)	6
Compressor RLA (A)	4
Indoor Fan Motor RLA (A)	0.22
Outdoor Fan Motor RLA(A)	0.36
Nominal Cooling Power Input (kW)	0.9
Nominal Heating Power Input (kW)	0.8

## Fan

ODU / IDU Type	Axial-flow/Cross-flow
Fan Motor Output (W)	30
Motor/Drive	Direct Drive
ODU Max Air Flow Rate (CFM)	942
IDU Air Flow Rate (CFM)	171 / 318

## Piping

Liquid Line (in, OD)	1/4
Gas Line (in, OD)	3/8
Additional Refrigerant (oz./ft.)	0.215
Max Pipe Length (ft.)	49.2
Piping Length (with factory charge, ft.)	24.6
Max Elevation (ft.)	49

AHRI certification Ref #



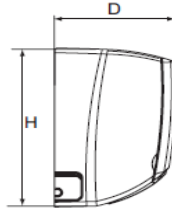
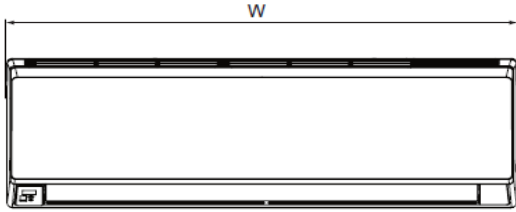
COOLING PERFORMANCE (BtuH)*								
Outdoor Ambient DB	Indoor Ambient Temperature							
	68F DB (20C)		73F DB (23C)		80F DB (27C)		82F DB (28C)	
	57F WB (14C)		61F WB (16C)		67F WB (19C)		68F WB (20C)	
	TC	SHC	TC	SHC	TC	SHC	TC	SHC
0°F	5,675	4,451	5,996	4,700	6,723	5,274	6,783	5,320
5°F	5,748	4,508	6,073	4,761	6,854	5,375	6,914	5,423
14°F	5,896	4,624	6,226	4,883	7,115	5,579	7,178	5,629
23°F	6,298	4,940	6,736	5,284	7,719	6,054	7,787	6,108
32°F	7,637	5,990	8,169	6,407	8,947	7,015	9,026	7,077
41°F	8,650	6,784	9,190	7,207	9,821	7,703	9,908	7,771
50°F	8,547	6,705	9,091	7,131	9,731	7,633	9,817	7,700
59°F	8,337	6,538	8,878	6,963	9,641	7,563	9,726	7,630
68°F	8,127	6,373	8,668	6,799	9,461	7,420	9,545	7,486
77°F	7,920	6,212	8,457	6,632	9,280	7,280	9,363	7,344
86°F	7,692	6,033	8,229	6,452	9,010	7,067	9,090	7,130
95°F	7,505	5,887	8,040	6,306	8,893	6,976	8,972	7,038
104°F	7,319	5,740	7,854	6,160	8,776	6,884	8,854	6,945
113°F	6,944	5,445	7,478	5,865	8,403	6,589	8,478	6,648
115°F	6,923	5,429	7,448	5,842	8,371	6,564	8,445	6,622
HEATING PERFORMANCE (BtuH)*								
Outdoor Ambient DB	Indoor Ambient Temperature							
	68F DB (20C)		73F DB (23C)		80F DB (27C)		86F DB (30C)	
	57F WB (14C)		61F WB (16C)		67F WB (19C)		72F WB (22C)	
	TC	SHC	TC	SHC	TC	SHC	TC	SHC
-4°F	4,985	4,985	4,937	4,937	4,854	4,854	4,658	4,658
0°F	5,400	5,400	5,350	5,350	5,261	5,261	5,044	5,044
6°F	5,697	5,697	5,644	5,644	5,549	5,549	5,320	5,320
10°F	5,935	5,935	5,878	5,878	5,780	5,780	5,543	5,543
16°F	6,113	6,113	6,056	6,056	5,955	5,955	5,709	5,709
19°F	6,234	6,234	6,172	6,172	6,071	6,071	5,819	5,819
24°F	6,926	6,926	6,867	6,867	6,763	6,763	6,513	6,513
32°F	7,734	7,734	7,674	7,674	7,570	7,570	7,321	7,321
41°F	8,657	8,657	8,598	8,598	8,497	8,497	8,244	8,244
43°F	8,888	8,888	8,829	8,829	8,725	8,725	8,476	8,476
47°F	9,693	9,693	9,595	9,595	9,429	9,429	9,019	9,019
53°F	9,791	9,791	9,690	9,690	9,521	9,521	9,108	9,108
59°F	10,014	10,014	9,913	9,913	9,738	9,738	9,316	9,316
64°F	10,227	10,227	10,123	10,123	9,945	9,945	9,515	9,515
70°F	10,420	10,420	10,313	10,313	10,135	10,135	9,696	9,696
75°F	10,566	10,566	10,459	10,459	10,275	10,275	9,830	9,830
* Maximum system capacity								
TC- Total Capacity ( BtuH)								
SHC- Sensible Capacity (BtuH)								

Lomo16 Heat Pump

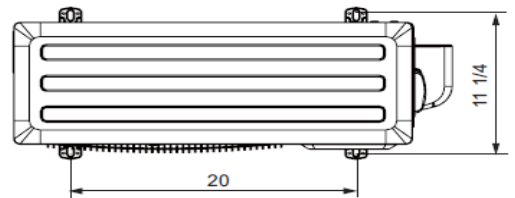
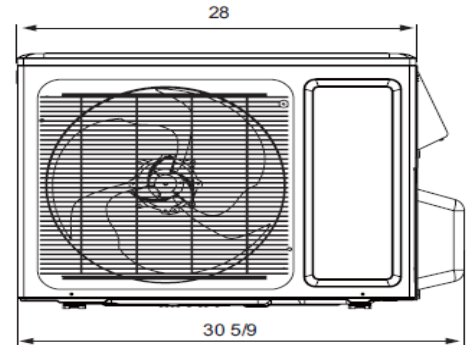
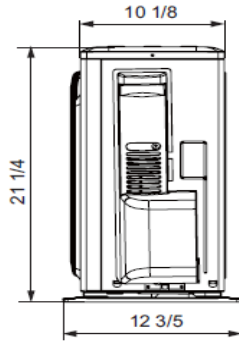
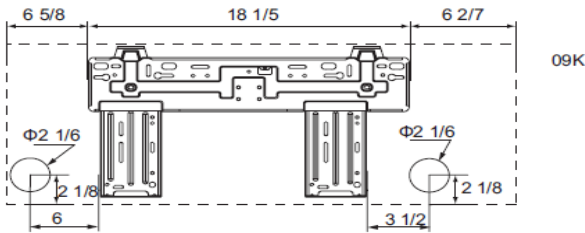
**TOSOT**

MODEL: TW09HQ1C8D

Outline Dimension Diagram



W	H	D
31 1/9	10 5/6	7 7/8



Approved By:

Signature

Date

**TOSOT**

315 Boulevard Industriel, Châteauguay, QC, Canada J6J 4Z2

Contact: +1 (450) 698-4000

[info@tosotamerica.com](mailto:info@tosotamerica.com)

[tosotamerica.com](http://tosotamerica.com)